



**LANDSCAPE PRODUCTS**

1-800-565-2599

[WWW.BRICKSTOPEGE.COM](http://WWW.BRICKSTOPEGE.COM)

## **MISSION STATEMENT**

At Brickstop Corporation our goal is to manufacture, distribute and supply our dealer network with the finest quality Paver Edgings and Landscape Accessories, serving the professional landscape contractors' specific needs and requirements. We strive to provide the best tools possible so you can do the best job possible!

Our customers' needs are our priority. If you can't find a product you require, we are happy to source it for you. Thank you for your interest in our fine line of superior products.

We're the "good guys to deal with!"

Paver Edging: B.E.A.S.T.	<b>02</b>
Paver Edging: Edge-All	<b>03</b>
Paver Edging: Simflex Plastic	<b>04</b>
Paver Edging: Aluminum	<b>05</b>
Lawn / Landscape Edging: Greenline	<b>06</b>
Landscape Edging: Edgestar	<b>07</b>
Shims + Marking Paints	<b>08</b>
Adhesives	<b>09</b>
Drains	<b>10</b>
Montolit Block + Paver Cutters	<b>11</b>
Lifting Equipment	<b>12-13</b>
Geogrid + Tarps	<b>14</b>
Paver Tools	<b>15</b>
Hand Tools	<b>16-18</b>
Outdoor Lighting Products	<b>19-23</b>
Transformers and LED Controllers	<b>24</b>
Lighting Accessories	<b>25</b>



## B.E.A.S.T. PLASTIC PAVER EDGING #350

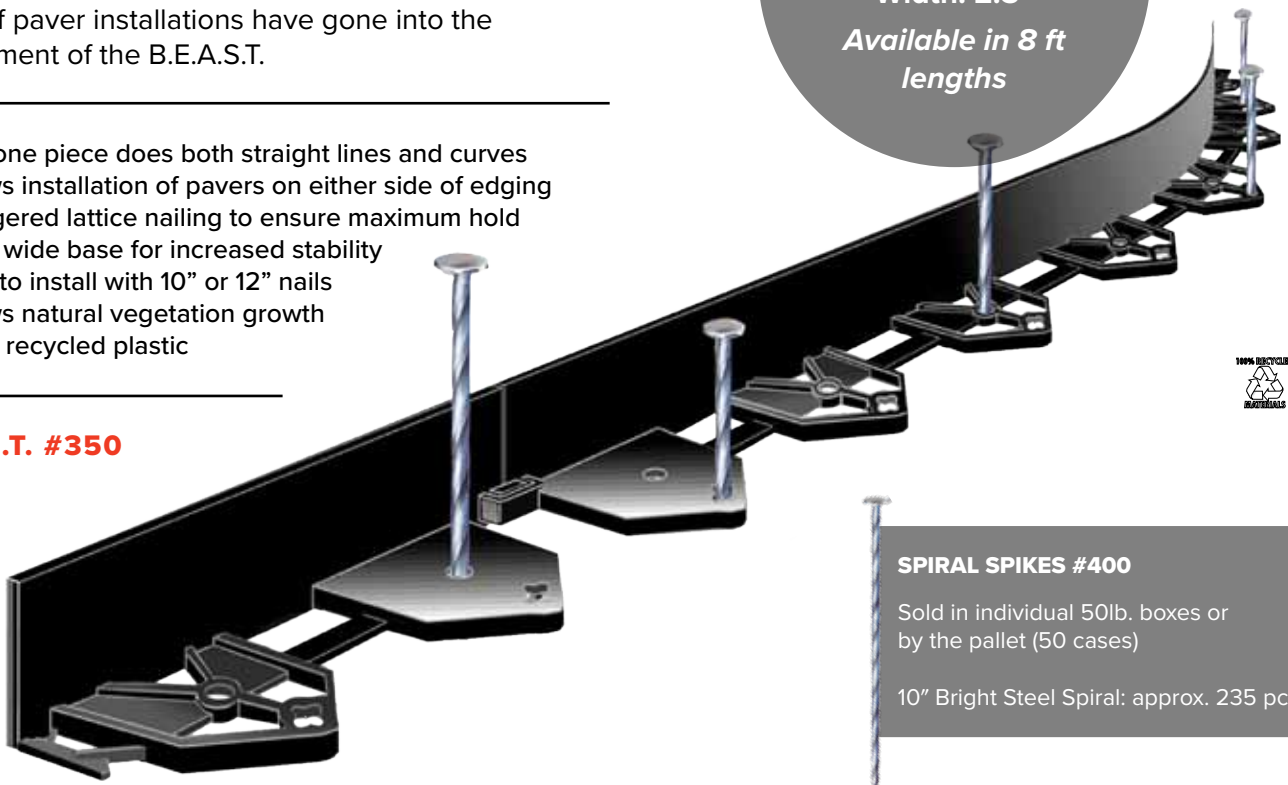
**NORTH AMERICA'S #1 BEST**

**SELLING PAVER EDGING**

Over twenty five years of experience and millions of feet of paver installations have gone into the development of the B.E.A.S.T.

- Just one piece does both straight lines and curves
- Allows installation of pavers on either side of edging
- Staggered lattice nailing to ensure maximum hold
- Extra wide base for increased stability
- Easy to install with 10" or 12" nails
- Allows natural vegetation growth
- 100% recycled plastic

**B.E.A.S.T. #350**



### SPECS

Wall: 1.75"

Foot: 3"

Width: 2.5"

*Available in 8 ft lengths*



### SPIRAL SPIKES #400

Sold in individual 50lb. boxes or by the pallet (50 cases)

10" Bright Steel Spiral: approx. 235 pcs.



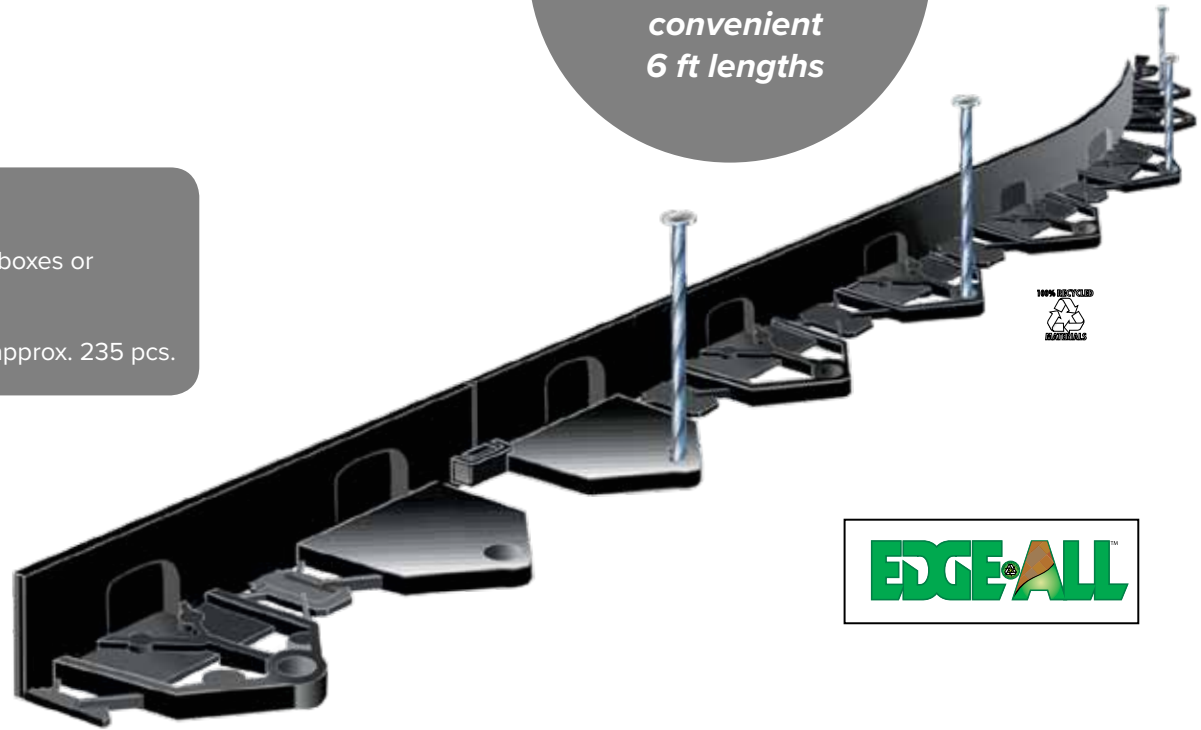
## EDGE-ALL LOW PROFILE PAVER EDGING #370

- Ideal for thin pavers, wetcast stone, and flagstones
- Super strength
- Super flexibility
- Amazing straight lines
- Perfect curves

### EDGE-ALL #370

**SPIRAL SPIKES #400**  
 Sold in individual 50lb. boxes or  
 by the pallet (50 cases)  
 10" Bright Steel Spiral: approx. 235 pcs.

**SPECS**  
 Wall: 1.5"  
 Foot: 2.25"  
*Available in  
 convenient  
 6 ft lengths*





# SIMFLEX PLASTIC PAVER EDGING #250

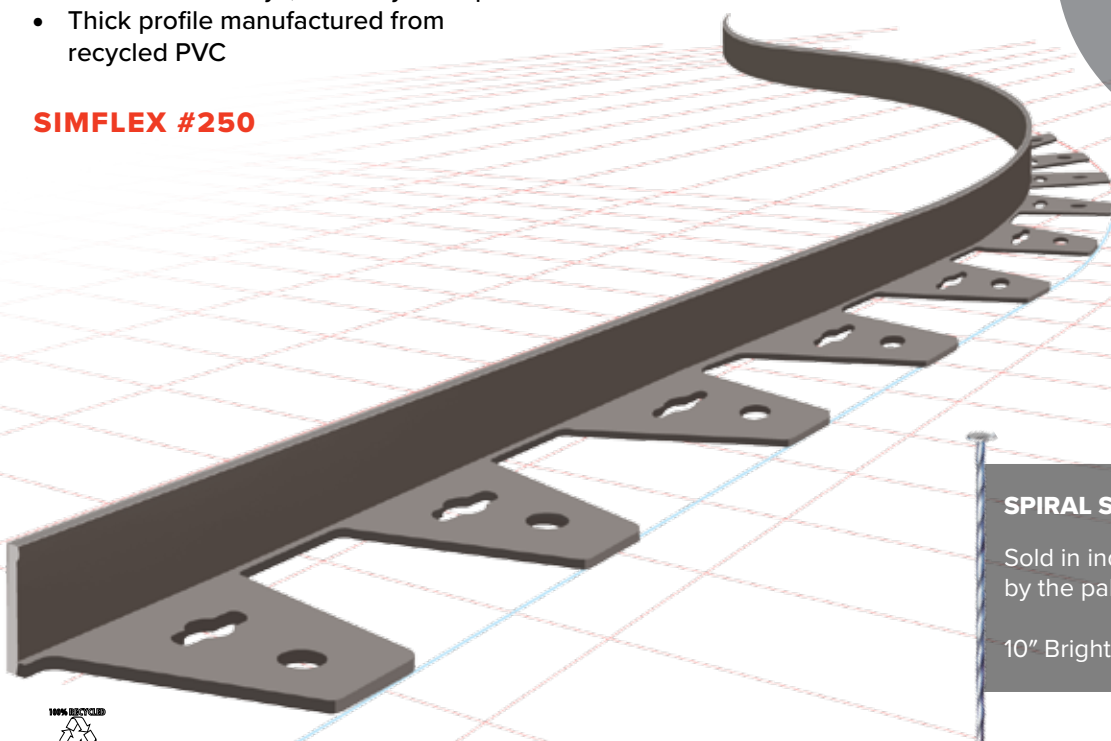
## SIMPLE, FLEXIBLE, AFFORDABLE

- Installs easily
- Requires no cutting for curves; suitable for both straight and radius installations
- Ideal for driveways, walkways and patios
- Thick profile manufactured from recycled PVC

### SIMFLEX #250

#### SPECS

Wall: 1.625"  
 Foot: 2.75"  
 Thickness: 0.31"  
 Convenient 7'6"  
 sections



#### SPIRAL SPIKES #400

Sold in individual 50lb. boxes or by the pallet (50 cases)

10" Bright Steel Spiral: approx. 235 pcs.





# ALUMINUM PAVER EDGING #150/170

## THE ORIGINAL L-SHAPED PAVER EDGING

**Because your reputation is at stake.**

BrickStop Aluminum Edging bends to your needs no matter how complex your interlocking brick and paving stone design. Made of aluminum, it's strong enough for straight lines, yet flexible enough to follow the most intricate curved patterns, with optional installation of pavers on either side of the edging.

BrickStop Aluminum Edging prevents the shifting and movement of pavers that could turn your project into an eyesore. BrickStop comes through with a patented design that lets you form 90 degree angles without cutting. Its quick "either side" installation helps bring labour costs down and creates the long lasting results that will keep customer referrals coming year after year.

### Check out the Brickstop edge:

- Convenient 8'4" lengths
- Made of non-rusting recycled aluminum
- Allows installation of pavers on either side of edging
- Completely hidden from view
- One piece for straight or curved patterns
- 90 degree angles without cutting
- Will not warp in heat or crack in cold
- No loss of material due to overlap at joints
- Includes plastic joiner tab



### SPECS

Length: 8'4" (2.54m)  
 Height: 1.5" (3.5cm)  
 Thickness: 0.125" (3.2mm)  
 Flange: 1.25" x 4" (3.2cm x 10.2cm)  
 Alloy: 6063 aluminum  
 T-5 hardness  
 US Patent #:  
 5212916

### SPIRAL SPIKES #400

Sold in individual 50lb. boxes or by the pallet (50 cases)  
 10" Bright Steel Spiral: approx. 235 pcs.



## GREENLINE LAWN/LANDSCAPE EDGING

---

### PRO-T

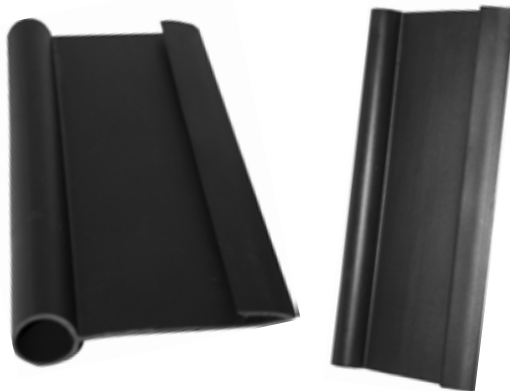
#240



- Corrugated side wall construction
- Rigid yet flexible, will easily follow the contours of your design.
- “T”-shaped base resists frost heave
- Convenient, easy-to-handle 8 foot lengths
- 10 strips per bundle (anchoring stakes, straight or corner connectors sold separately)

### PRO-V

#260



- Clean lines provide for ease of installation
- “V”-shaped base resists frost heave
- Convenient, easy-to-handle 8 foot lengths
- Economically priced
- 10 strips per bundle (anchoring stakes, straight or corner connectors sold separately)

### ACCESSORIES

---

#261 9” Galvanized Steel Anchoring Stakes

#262 6” Straight Connector

#263 90 Degree Corner Connector





# EDGESTAR LANDSCAPE EDGING #210/200

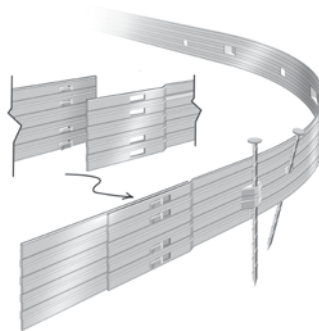
## EDGESTAR ADVANTAGES

- Keyhole Interlocking System: Lengths are easily and quickly connected.
- Superior Reinforcement – 8” lengths: Rigid enough to provide perfectly straight lines; flexible enough for the most demanding curves.
- No need to use heavier gauge or more costly material to maintain straight runs.
- Heavy duty 1 1/8” nail loops located every 23”: allows for more frequent nailing positions, providing superior anchoring where required.
- Steel Nail Anchoring: Spiral 10” nails readily available.

EDGESTAR is produced in 1/8” thickness. Our product’s design will maintain straight lines even for the heaviest commercial applications. EDGESTAR is ideally suited for use as a planting bed edging in both residential and commercial applications. Other uses include edging for walkways, jogging trails, running tracks, asphalt borders and maintenance strips.

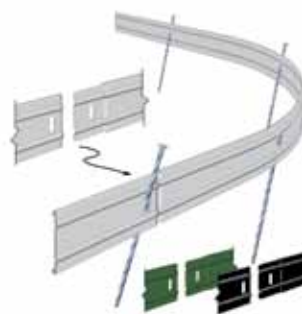
Available in black anodized.

**KEEPS GARDEN BEDS CLEAN AND NEAT!**



WITH SNAP-IN INTERLOCKING TABS

**ORIGINAL #210**



**ECONO #200**

### SPIRAL SPIKES #400

Sold in individual 50lb. boxes or by the pallet (50 cases)

**10” Bright Steel Spiral:**  
approx.  
235 pcs.

### SPECS

**Sizes:** 1/8” by 4” (3.2mm by 100mm) residential/ commercial

**Finishes:** Mill finish; natural aluminum or black or green anodized

**Length:** 8’0” (2.44M) sections – nail every 23”

**Nails:** 10” by 3/8” spiral steel nails (not included)

Convenient 8’ Sections

# SHIMS + MARKING PAINT

## EZ-SHIM™

## THE ALL PLASTIC LOAD BEARING SHIM



**MADE IN USA**



### FEATURES AND BENEFITS:




- LOAD BEARING up to 8,000 psi
- WEATHERPROOF
- Easy break off points
- Handles big nails and screws
- Injection molded into sheets of ten


### PROFESSIONAL'S CHOICE FOR:

- appliances
- bathrooms
- construction
- decks
- fountains
- glass block
- heavy load applications
- jacuzzis + spas
- landscape architecture
- marine
- paving stone systems
- precast concrete & columns
- stone & masonry
- vinyl decking systems

### LOAD TESTED

Compression (downward force) until deflection. Results measured in psi (avg.)

		HEEL	MID	TOE
EZ-SHIM		8,029 psi	7,993 psi	7,947 psi
CEDAR		1,367 psi	1,711 psi	5,370 psi
PINE		1,848 psi	2,288 psi	4,215 psi



# #550 BRICKSTOP INVERTED MARKING PAINT

### FEATURES AND BENEFITS:

- Ultra bright
- Inverted tip
- Fast dry – non clogging
- Water based – safe on grass and plants
- Lead free – VOC Compliant
- Colors – Fluorescent Orange, Fluorescent Red, Hot Pink, White, Yellow.



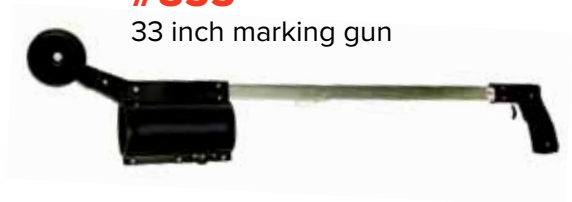
**#814**

14 inch marking gun



**#833**

33 inch marking gun



# ADHESIVES



EXTRA STRENGTH

**HEAVY DUTY PREMIUM**

**POLYURETHANE FOR**

**CONCRETE AND STONE**

Brickstop Brickstik is a one-component premium polyurethane adhesive. Specially formulated to adhere to wet or frozen surfaces. Brickstik is specifically engineered for the Concrete and Paver/Retaining wall industry.

Brickstik is designed to resist water and frost to permanently bond stone, brick, and concrete. Brickstik can be applied in a wide installation temperature span and will not freeze.

## FEATURES AND BENEFITS:

- VOC Compliant
- Environmentally sensitive
- Easy gunning – user friendly
- Fast curing – quicker adhesion

**#1010 10.1 OZ, 24/CASE**

**#1028 29 OZ, 12/CASE**



## SPECS

SUBSTRATE BOND STRENGTH	24 HOURS	7 DAYS:
Concrete to Concrete	300	350

BEAD SIZE IN INCHES (MM)	LINEAL FEET PER 313 ML	LINEAL FEET PER 858 ML
1/8 (3)	129	353
3/16 (5)	57	156
1/4 (6)	32	87
5/16 (8)	20	54
3/8 (10)	14	38



# DRAINS

## UNIVERSAL WALL DRAIN PRO #WDP03/WDP04

- designed for all 3"-8" block easy installation
- aesthetically pleasing
- reduced labour costs
- height easily modified for use with any size block or timber

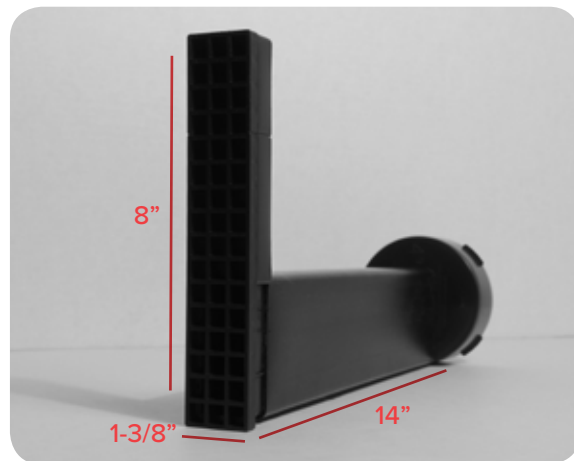
### #WDP03

- male end snaps into 3" piping

### #WDP04

- male end snaps into 4" piping

CHOOSE YOUR COLOUR



## DRAINAGE KIT #PC100A

This is ideal for below grade driveways.

**DRAINAGE KIT INCLUDES:**

- 3 drains (39" each)
- 3 stainless steel grates
- 1 solid end cap (#DN75)



**REPLACEMENT CLIP #PC100C**  
(FOR #PC100A)

**END CAP FOR  
4" PIPE #PC100B**  
(FOR #PC100A)



**SOLID END CAP  
#DN75** (FOR #PC100A)



# MONTOLIT BLOCK + PAVER CUTTERS



## MONTOLIT MAKES THE WORLD'S BEST SPLITTERS



### PAVING BLOCK SPLITTER #4BK

Dual position spring-loaded tray provides a wide cutting range from 0" to over 8."

**SPECS**  
Cut width: 16" Cutting height: 0 - 8.3" Weight: 135 lbs.

### PAVER CUTTER #6L

Designed and constructed specifically for splitting pavers. This lightweight paving stone cutter easily transports.

The 6L is quick, efficient and will cut up to 3.9" paving stone.

**SPECS**  
Cutting width: 12.2"  
Cutting height: 0"-3.9"  
Weight: 66 lbs.



### MONTOLIT PAVER CUTTER #6R

Designed and constructed specifically for splitting pavers and retaining wall block. This lightweight paving stone cutter easily transports. The 6R is quick, efficient and will cut up to 4 7/8" paving stone. Spring loaded tray -- no need to reset screw when cutting same size stones; also allows for back cuts.



**SPECS**  
Cut width: up to 12"  
Max height: 4 7/8"

### HYDRAULIC BLOCK/WALL CUTTER #3ST

The big one! For the contractor who has special needs. Ideal for flagstone and retaining walls. The 3ST will cut any block, paving tile, slab or similar material made from concrete, stone, or granite.

**SPECS**  
Cutting width: 24"  
Cutting height: 3.35"-9.25"  
Weight: 242 lbs.  
Pressure Capacity: 25 tons



# LIFTING EQUIPMENT



Our clamps are made by BSV in Denmark. They have been making clamps for 110 years and your operators will fight for the truck that's equipped with the BSV.

All clamps protect the product with rubber contact pads for safe and easy loading and offloading. All clamps are gravity controlled – they open when rested and close when lifted.

We can supply custom clamp solutions if you require a clamp or grab not shown. Many other sizes and configurations are available by special order. Be sure to describe your needs to your salesman as not all clamps are suitable for fork-truck use.

## SCISSOR CLAMP #BSV MULTI 760/50Z

The width of this clamp can be adjusted from 15.75" to 42". A maximum safe working load of 3,300 lbs, the scissor clamp is extremely versatile and ideal for heavy-duty multi-purpose use. Pictured with optional fork yoke.



## CLAMP #BSV 32/38

For moving the heavier stuff. The 32/38 will safely lift loads from 32" to 38" and up to 4070 lbs. This clamp will perform.



## SCISSOR CLAMP MODEL #10-38

A lightweight clamp suitable for lifting curbs and other narrow stones. Lifts from 4" to 15" at a maximum safe working load of 1540 lbs.



## PALLET FORK MODEL PG 100 / 2-SSB-SBL – SELF-BALANCING

This model has a spring-loaded head so that the fork always remains horizontal, loaded or unloaded. Also available with 'bow' for deliveries on uneven ground.

# LIFTING EQUIPMENT

---



## SECTIONS CLAMP #1002

With the versatile lifting range of 9"-42" and a safe working load of 1600 lbs., this clamp is capable of picking up 1-2 sections of pavers at a time. The 1002 is perfect for separating cubes of pavers and handling materials on site. Fork Yoke Attachment available. **Made in Canada.**



## JED CLAMP IT #J800

Lifts up to 600 lbs. Ideal for treads and curbing from 12"-22."

---

## TREADSETTER #600T/1200T

Eliminate finger smashing, back breaking, time consuming and work-related injuries using the new TREADSETTER. The Treadsetter is designed to handle various step treads from 12"-35" in depth – up to 4" in width and with a 6"-8" rise.

This new product is easily adjusted to tread width and balance. The tool has pivot-style urethane ends to reduce slippage and protect the stone, as well as servicing other applications in various weather conditions. Ideal for Rosetta Stone.



### TWO SIZE AND WEIGHT CAPACITIES

**1200T:** 1200 lb Treadsetter, 20"-35" in depth    **600T:** 600 lb Treadsetter, 12"-25" in depth

---



## UTILITY CLAMP #A1640 (L)

Mechanical lifter. 7"-15.75" 660lb capacity

## MONTOLIT CURB CLAMP #A016 (R)

Mechanical or hand-lifter. 3.15"-7" 440lb capacity



Lifts a complete band of pavers at one time. Saves time, money and labour. Less handling reduces chipping and breaking of materials and speeds up installation.

### FEATURES:

- large pneumatic turf-profile tires
- solid steel pallet roller
- handle assembly detaches for easy transport
- reinforced cross-braced handles prevent twisting
- foot bar for increased leverage
- can be used for both palletized/unpalletized materials
- Shipping weight: 165 lbs.
- Overall dimensions: 40" x 21" x 69"
- Safe Lifting Load: 600
- Width adjusts from 34"-40"

## PAVER CART #2002

---

# GEOGRID + TARPS



## GEOGRID RETAINING WALL SYSTEM #BG100

4' X 50' DEALER ROLLS, 22 SQ.YDS,  
12 ROLLS/CASE, UNIDIRECTIONAL

Geogrid provides advanced options for dealing with common civil engineering problems and difficult soils. The highest quality for retaining walls, reinforced steep slopes and embankments over soft soils.

Geogrid is constructed of high molecular weight and high tenacity polyester yarns utilizing a complex knitting process and low temperature coating technology to provide superior engineering properties. UV stabilized coating provides further chemical and mechanical benefits.

- **BG150** 6' X 150', 100 SQ.YDS.
- **BG200** 6' X 300', 200 SQ.YDS.
- **BG350** 6' X 300', 200 SQ.YDS.
- **OTHER SIZES AVAILABLE UPON REQUEST**

### GEOGRID BY BRICKSTOP IS USED FOR:

- Retaining Walls
- Timber Walls
- Steep Slopes
- Landscape Repair
- Paver Reinforcement



**SPECS**

Biaxial **LTDS:**  
MD 822 lbs/ft

**CMD:** 882 lbs/ft  
Recommended for  
wall heights up to 6'



## ALL-SEASON CONSTRUCTION QUALITY, MULTI-PURPOSE TARPS

- 8x8 weave
- 4 spare ropes
- double reinforced corners
- waterproof + rot-proof
- rope reinforced hems
- grommets every 3 ft
- 90 grams/sq meter



**#701** 6FT X 8FT  
**#702** 8FT X 10FT  
**#703** 9FT X 12FT

**#704** 10FT X 15FT  
**#705** 12FT X 18FT  
**#706** 15FT X 20FT

**#707** 18FT X 24FT  
**#708** 20FT X 30FT  
**#709** 24FT X 40FT

**#710** 30FT X 50 FT  
**#711** 40FT X 60FT



# PAVER TOOLS



The products from left to right are:  
#504, 502, 505B

## SIMPLEX PAVER EXTRACTOR #502

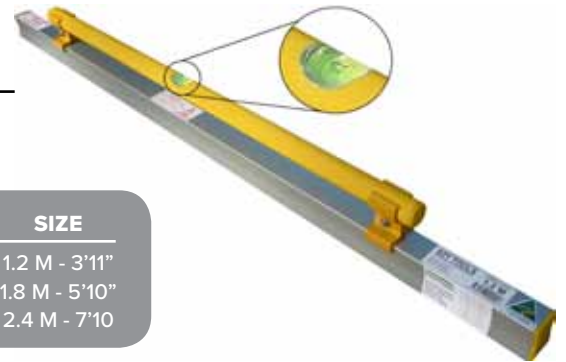
### PAVER-PRY #504

The ideal tool for positioning pavers and checking joints.



### LARGE PAVER LIFTER (CARRIER) #505B

For easily grabbing, lifting, and carrying several pavers at the same time.



## EZYSCREED

- to screed sand or concrete
- two screeds in one with a fully reversible clamp and handle set-up
- bend resistant - made from high tensile aluminum
- handle makes it easier to screed large loads

ITEM #	SIZE
506-4	1.2 M - 3'11"
506-6	1.8 M - 5'10"
506-8	2.4 M - 7'10"



## ADJUSTABLE (FINISHING) ALUMINUM SAND SCREED #507

- adjusts from 3" to 5"
- built-in bubble level
- removable handle for easy transport

## ALUMINUM SCREED BAR

Lightweight, hollow. 1" x 4". Lengths: 4', 6', 8'.

#509-4 – 4FT

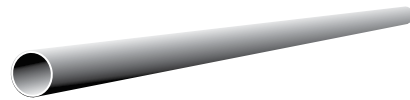
#509-6 – 6FT

#509-8 – 8FT



## ALUMINUM SCREED RAIL #508

Helps set levels. Lightweight. 1" x 8'.



## LANDSCAPE/GRADING RAKE

The strongest aluminum rake money can buy! All-aluminum construction – lightweight, 5.5 lbs. (36")

Extra thick tines, up to 50% more material and an extended striking edge to reduce dirt buildup. 66" aluminum alloy handle is powder-coated to eliminate blackened hands. Head connection is secured with a solid aluminum plug for maximum strength. Wrap-around bracing.



**PAVER MALLET  
#602-6**

**19" Handle  
3.5lbs.**

This mallet is made of cast iron and has replaceable inserts. It's perfect for large wall projects. Comes with a life-time warranty.

**INSERTS INCLUDED:**

1. Black Composite Rubber/medium hard
2. Red Plastic/hard



**WALL MALLET  
#602-8**

**19" Handle (Big Head)  
6.6 lbs.**

Ideal for retaining wall cap stones. Comes with a life-time warranty.

**INSERTS INCLUDED:**

1. Black Composite Rubber/medium hard
2. White Nylon/hard



**BP PAVER MALLET  
#696-8**

**9.5" Handle  
3.2 lbs.**

This is a soft-face mallet. It is designed with two different inserts of varied hardness. This is a great mallet to use for small adjustments without damaging your products. Comes with a life-time warranty.

**INSERTS INCLUDED:**

1. White Nylon/hard
2. Red Plastic/hard



**DEAD BLOW (40MM) #636-4 14" Handle, 1.6 lbs.**

**DEAD BLOW (70MM) #636-7 14 1/2" Handle, 5 lbs.**

This dead-blow mallet has a steel head with replaceable nylon inserts. A sealed container, within the insert, is filled with a steel shot for a rebound-free strike. Comes with a life-time warranty.

**INSERTS INCLUDED:**

1. White Nylon / hard



**SLEDGE MALLET #602-7**

**31" Handle (Big Head)  
7.4 lbs.**

This sledge mallet is the perfect tool for damage-free, major adjustments. Comes with a life-time warranty.

**INSERTS INCLUDED:**

1. Black Composite Rubber / medium hard
2. White Superplastic/medium hard

## REPLACEMENT INSERTS



**WHITE  
NYLON**

- For item #602-8 use insert **#620-88**
- For item #636-4 use insert **#650-84**
- For item #636-7 use insert **#650-87**
- For item #696-8 use insert **#698-85**



**RED PLASTIC**

- For item #602-6 use insert **#620-66**
- For item #696-8 use insert **#696-65**



**WHITE SUPERPLASTIC**

- For item #602-7 use insert **#620-78**



**BLACK  
COMPOSITE RUBBER**

- For item #602-6 use insert **#620-26**
- For item #602-7 use insert **#620-28**
- For item #602-8 use insert **#620-28**

# HAND TOOLS

---



## THE PRONTO #608

3.25 lbs, sold individually.



## RUBBER MALLET #603

32 oz, Case of 24



## MASON HAMMER #607

24 oz. with fiberglass handle, case of 6



## DEAD BLOW #605

4 lbs, case of 12



## CLUB HAMMER #602

2.5 lbs. with fiberglass handle, case of 6



## GUMMY MALLET #601

32 oz, made in Italy



## TORPEDO LEVELS #612

12", display box of 6.



## 3" CHISEL #613

## 4" CHISEL #614

Brick bolster, case of 25.



## CAULKING GUN # 413

### SPECS

9" - 24/case  
13" - 12/case



## CAULKING GUN #419

# HAND TOOLS

---



## CANADIAN MADE, INDUSTRIAL QUALITY BROOMS

Stiff bristle, heavy sweep exterior use.



18" heavy duty broom #801  
24" heavy duty broom #802



## BRICK WASHING BRUSH #806

6" x 2.5". Natural fiber for cleaning brick, stone, etc. Case pack of 12.



## DRIVEWAY APPLICATOR + POLE #804

Case pack of 12.



## SQUEEGEE + POLE #805

Case pack of 12.



## ECONOMY KNIT WITH COATED PALM #LC2009

Form knitted shell with latex coating offers an excellent grip. Flexible, comfortable and durable. Sold by the dozen pair. One size fits all.



## PREMIUM KNIT WITH COATED PALM #LC2001

Form knitted shell with latex coating offers a superior grip and a superior fit. Features excellent cut, abrasion, and puncture resistance. Sold by the dozen pair. M-L-XL.

# OUTDOOR LIGHTING PRODUCTS



## RECESSED LED PAVER / DEK DOTS

“LIGHT THE NIGHT” - Introducing PAVER DOTS & DEK DOTS, the smallest, brightest and easiest LED paver light to install you will ever come across.

Waterproof and totally submersible, PAVER DOTS are suitable for ponds, docks, stairs, steps, driveways, walkways, and more. Use in fountains, around hot tubs and water features or as marine lights.

**PAVER DOT SPECS**  
 Housing diameter: 1"  
 Housing height: 5/8"  
 Mounting hole diameter: 1"  
 Draws: 1.2 watts  
 Housing material: Polycarbonate  
 Length of wire pigtail: 5'

1" Masonry drill bit required for installation of paver dots in stone

PAVER DOTS & DEK DOTS differ from other LED recessed lights in that they have transparent polycarbonate covers that are nearly indestructible. They install totally flush with the surface, making them virtually unseen – and “unfelt” underfoot.

**DEK DOT SPECS**  
 Housing diameter: 0.91"  
 Housing height: 5/8"  
 Mounting hole diameter: 0.9"  
 Draws: 1.2 watts  
 Housing material: Polycarbonate  
 Length of wire pigtail: 6'



24 watt (indoor) transformer powers up to 18 dots  
 36 watt transformer powers up to 28 dots  
 60 watt transformer powers up to 48 dots



AVAILABLE IN 8 PACK KITS OR 4 PACK (LIGHTS ONLY)

### FEATURES OF OUR INNOVATIVE LED LIGHT TECHNOLOGY

- 10 Year Warranty
- 100,000 hour rated LEDs
- (34 years of 8 hours a day, year round use)
- Warm white LEDs with the ambience of incandescent lighting -- 3200 Kelvin
- Green, energy efficient
- Dimmable, expandable
- Waterproof, weatherproof and salt air resistant

## RECESSED DOWN + STAIR LIGHTS

Small yet powerful low-voltage LED lights offer function and style. Perfect for landscape lighting, decks, docks, steps, patios, and gardens. Embed them in concrete walkways or steps, or to safely light stairs and under rails. Compact enough to fit just about anywhere. 40% brighter than ever and featuring an LED technology designed to last for decades.

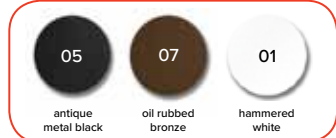
**SPECS**  
 Width of bezel: 1-1/4"  
 Mounting hole diameter: 0.900"  
 Mounting hold depth: 1"  
 Length of wire pigtail: 5'  
 Wattage: 1.2

24 watt (indoor) transformer powers up to 18 lights  
 36 watt transformer powers up to 28 lights  
 60 watt transformer powers up to 48 lights



- No bulbs to change ever
- Cool to the touch
- Adds safety and security to your home
- Easy to install, virtually flush with surface, hardly visible
- Now available in **PLUG 'N PLAY** format

CONTENTS INCLUDE:  
 • Plug N Play 5' cables  
 • 6 port plug n play splitters  
 • 20' transformer to splitter connector



\* please see page 25 for warranty policy

## THE 'BIG MAX' LED RETAINING WALL LIGHT

The only curved LED retaining wall light on the market capable of projecting a high output 120 degree swath of light at an unparalleled energy efficient performance of 1.9 watts per unit. This means you use fewer fixtures and consume less power.

As with all our outdoor lighting, these units are completely waterproof and housed in sturdily built robust die cast aluminum fixtures that are corrosion-resistant and come with a 30-year powder-coating warranty. The LEDs are protected by an extremely strong polycarbonate UV stable lens guaranteed not to yellow with time or environment. The light has a 6' all-weather electrical pigtail which allows for easy installation and wire termination.

Achieve entirely different looks by pointing the light downwards for walkways or shrubbery, or straight into the air for lighting the side of a house.



**NOW  
PLUG +  
PLAY**

### BIGMAX SPECS

- Die Cast Aluminum • Polycarbonate Lens
- 1.9 watts @ 12 volt DC. • **Light output:** 250 lumens
- Pigtail length:** 6'
- Radiance angle light disbursement:** 120°
- Light Dimensions: Width:** 6.7" **Height:** 1.9"
- Depth:** 1.0"

## THE 'MINI MAX' LED RETAINING WALL LIGHT

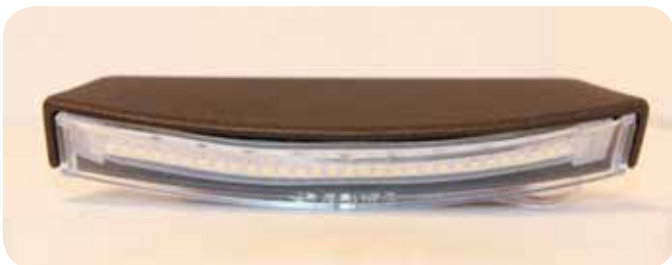
1 piece design for easy installation. Mini and powerful!

### MINI-MAX SPECS

- Die Cast Aluminum • Polycarbonate Lens • 1.9 watts @ 12 volt DC.
- Kelvin temperature:** 3200 degrees • **Pigtail length:** 6'
- Light Dimensions: Width:** 4.5" **Height:** 1.5" **Depth:** 1.0"



*\* please see page 23 for warranty policy*



**MADE IN  
USA**



antique metal black



oil rubbed bronze



pewter/mill



wrinkle grey

ALL DEKOR LIGHTS FEATURE "WARM WHITE" COLOUR TEMPERATURE/SPECTRUM



## PUCK LIGHT

Use as a pathway light in mulch, flowerbeds, rock gardens, etc. Highlight shrubs and light small trees from the ground up. Waterproof design allows for direct placement on ground surface. Made of powder-coated cast aluminum.

### PUCK SPECS

**Light Dimensions:** 2.9" diameter x 1" H  
**Power efficiency:** 1.32 watts  
**Lumen output:** 560 lumens • **Kelvin temperature:** 3200°  
**Life expectancy:** > 60,000 hours • **IP rating:** 66  
**Regulatory compliance:** ETL (US and Canada), RoHS  
 • powder coating finish

## TREE GANG LIGHT (HIGH POWER)

Available in 1 or 2 lights per fixture. Direct tree mount bracket available. Powerful light beams simultaneously light up trees and surrounding area. Made of powder coated cast aluminum.



### TREE GANG SPECS

**Light Dimensions:** 2" diameter x 3" H / 28" H (gang spot)  
**Housing Material:** Die-cast aluminum with Alodine + powder coating finish  
**Power efficiency:** 7.9 watts • **Lumen output:** 560 lumens  
 • **Kelvin temperature:** 3200°  
**Life expectancy:** > 60,000 hours • **IP rating:** 66  
**Regulatory compliance:** ETL (US and Canada), RoHS



## SPOT LIGHT (HIGH POWER)

Use as a pathway light to highlight trees, shrubs, or anything else that needs a strong focal point of light. Made of powder coated cast aluminum.

### SPOT SPECS

**Light Dimensions:** 2" diameter x 24" H • **Articulation:** 120 degrees at joint, 360 degrees of rotation on light shroud  
**Power efficiency:** 7.9 watts • **Lumen output:** 560 lumens • **Kelvin temperature:** 3200°  
**Life expectancy:** > 60,000 hours • **IP rating:** 66  
**Regulatory compliance:** ETL (US and Canada), RoHS



**CHOOSE  
YOUR  
COLOUR**



ALL SPOT/GANG LIGHTS COME WITH STEP UP TRANSFORMERS/LIGHT FIXTURE

## CABLES AND ACCESSORIES FOR SPOTLIGHTS AND GANGLIGHTS

**EZPLUGNPLAYSPLITTER** - 6 Port plug and play splitter

**EZPLUGNPLAY FTOF CONNECTOR** - Plug and play female to female connector

**EZPLUGNPLAY5CABLE** - Plug and play 5' Cable (Male Connector Ends)

**EZPLUGNPLAY20TRANSCONNECTOR** - Transformer to Splitter WP connectors 20' length

**EZPLUGNPLAY10** - Plug and Play 10' Cable (Male Connector Ends)

**EZPLUGNPLAY20** - Plug and Play 20' Cable (Male Connector Ends)

**EZPLUGNPLAY40** - Plug and Play 40' Cable (Male Connector Ends)

**EZPLUGNPLAY60** - Plug and Play 60' Cable (Male Connector Ends)

**EZ T SPLITTER** - 8 pack - For Daisy Chaining Wiring of Lights (Accepts Male Cables)

**EZ Y SPLITTER** - Y Splitter for Transformer Output

**GANG TRANS SPLITTER** - 5 Way Transformer Splitter (for Spot/Tree Gang Lights)



## GINNY LIGHT

This modern design can be used as a pathway light, to highlight trees or shrubs, or to point upwards for a wall wash effect. Creates uniform light output with large span of LED's. Made of powder coated cast aluminum.

### GINNY SPECS

Light Dimensions: 2.4" W x 1" D x 24" H • Articulation: 130 degrees of rotation • Power efficiency: 1.9 watts  
 Lumen output: 240 lumens • Kelvin temperature: 3200°  
 Life expectancy: > 20,000 hours • IP rating: 66  
 Regulatory compliance: ETL (US and Canada), RoHS

## RADIANCE LANDSCAPE LIGHT

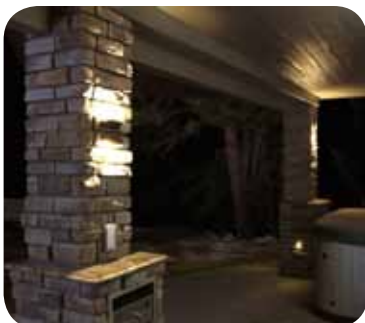


- only 1.9 watt power consumption
- 30 high output SMD LEDs per light fixture
- 240 lumens and 120 degree swath of light
- dimmable with a DEKOR™ EZdimmer
- LED lights do not attract insects
- waterproof
- minimal installation • 180 degree swivel
- robust die-cast aluminum fixture
- corrosion-resistant coating
- polycarbonate lens will not yellow
- 5 year warranty for lights, 30 year powder-coat warranty

### SPECS

Power Efficiency: 1.9 Watts • Light output: 250 lumens • Kelvin Temperature: 3200 degrees  
 Life Expectancy: > 20,000 hours • IP Rating: 66  
 Light Dimensions: W: 6.7" H: 16" D: 1.0" • Powder Coating Finish

## RADIANCE MULTIFUNCTIONAL LIGHT FOR FLAT/SURFACE MOUNT APPLICATIONS



antique metal black



oil rubbed bronze



dark copper vein



ALL POWDER COAT FINISHES COME WITH A LIMITED 30 YEAR GUARANTEE



## EMPRESS LIGHT

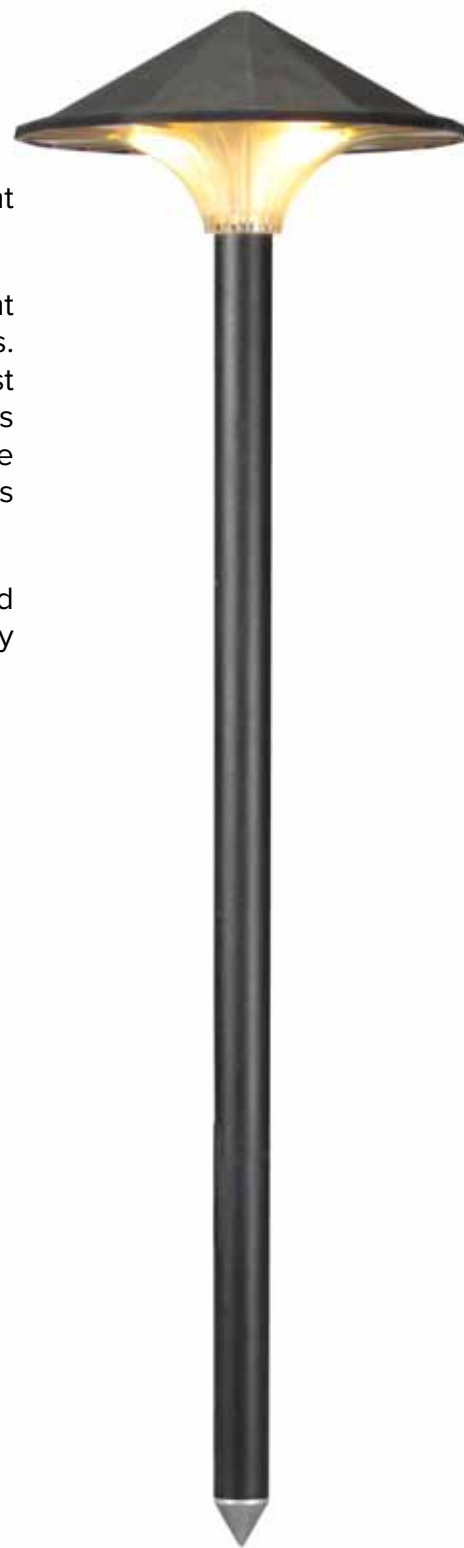
### A Diamond in the Night!

Use these bright, energy saving, low voltage landscape lights to accent your gardens or add safety along pathways and walkways at night.

Beautiful, Functional and Virtually Maintenance Free. The Empress light has a somewhat traditional form factor and very smooth flowing lines. And yet this light is truly different from similar looking lights in at least two key aspects. First, the top of the light is faceted like a diamond and is designed to shed water easily so water will not stagnate or accumulate to make the light look dirty. Second, the transparent Lexan shield keeps the bugs, dirt, and water out of the light.

The light spread is from 5 to 7 feet, with an even spread of light and no "Hot Spots." In the rare event of LED failure, the LEDs can be easily replaced.

Durable and long lasting with our unique 5 year / 30 year warranty\*



#### EMPRESS SPECS

Light Dimensions: 2.4" W x 1" D x 24" H • Power efficiency: 1.9 watts  
Lumen output: 240 lumens • Kelvin temperature: 3200°  
Life expectancy: > 20,000 hours • IP rating: 66  
Regulatory compliance: ETL (US and Canada)

\* please see page 25 for warranty policy

# TRANSFORMERS & LED CONTROLLERS

PLUG +  
PLAY



## EZ 36 WATT 12V LED POWER SUPPLY

Indoor or outdoor use • waterproof (IP66) and impervious to the elements • our “workhorse” - suitable for most project’s power needs • 3 year warranty when used with Dekor products • designed to be used with DEKOR’s remote dimmer or remote switch, or both • 2.5 amp • UL, CSUL, CE, RoHS, ETL.



## EZ MAX 60 WATT 12V LED POWER SUPPLY

indoor or outdoor use • waterproof (IP66) and impervious to the elements • offers more power for larger projects or substantial wire runs • 3 year warranty when used with Dekor products • designed to be used with DEKOR’s remote dimmer or remote switch • 5 amp • UL, CSUL, CE, RoHS, ETL.



## EZ MAX C 100 WATT 12V LED TRANSFORMER

contractor-grade waterproof LED transformer, LED power driver • for indoor or outdoor hard wire applications • simple installation • designed to be used with DEKOR’s remote dimmer or remote switch, or both • 8.3 amp • 3 year warranty when used with Dekor products • CE, RoHS



## EZ DIMMER WATERPROOF LED DIMMER & REMOTE

waterproof housing and input/output connectors for outdoor use • adjust light intensity from base unit or using remote • full control of light intensity • 70 foot range with remote control • teachable base unit in case of remote loss • higher input current can be used with any DEKOR transformer • on/off switch at base + at remote • UL, CSUL, CE, RoHS • 1 year warranty

**ALL TRANSFORMERS FEATURE PLUG & PLAY CONNECTIONS**



## EZ TIMER

outdoor or indoor use • photo-activated • compatible with all DEKOR transformers • simple to install and program • timer has programming modes: off / always on / dusk to dawn / on at dusk for 1-8 hours • 1 year warranty



## EZ WI-FI REMOTE APP

connects to your Wi-Fi network • control your DEKOR lighting from your iPhone or iPad • Can be used with all DEKOR transformers • on / off • brightness • scheduling



## EZ ENCLOSURE

housing for transformers, timers, etc. • keep electrical components dry and clean up your installation • designed for outdoor use • watertight design • durable high-impact polycarbonate • molded in bosses • easy to remove lid • smoke clear cover allows activation of photo cell • includes enclosure mounting tabs • ask about EZ Enclosure accessories



## CUSTOM FORSTNER BIT

This bit is custom ground to the specific diameter of .900/23mm to allow a snug fit for our balusters, end caps, recessed lights, DEK dots and petite directional lights. Our bit is designed to produce up to 300 holes in yellow pine lumber, less in composite materials, and even fewer holes in materials such as Ipe (Epay) and Mahogany. **Best to ensure that you have extra bits on hand!**

# LIGHTING ACCESSORIES

---



## LOW VOLTAGE WIRE

Our 18 gauge, outdoor-rated, UL-approved wire is recommend for use with our illuminated systems. Thicker 16 gauge wire recommended for runs of over 100 ft. Both sold in 100 ft spools.



## CUSTOM DRILL JIG

The drill jig is designed to fit over dimensional lumber (2x) on end. Simply drill your first hole, put the male brushing into the hole and use the opposite end drill bushing to drill your next hole. Using the jig will give you 4-5/8" on center for baluster installation and meets code for spacing. If your material is thinner than 2x or larger, just bend the side ears in until you have a nice fit on the material you are drilling.



## DRILL KIT: JIG & BIT

Our drill kit is a must-have for the serious installer and beginners, too. This kit includes both our custom drill jig and Forstner bit.



## OUTDOOR GEL-FILLED WIRE NUTS

UL approved • packaged in quantities of 10

---

## WARRANTY POLICY: PLEASE NOTE

*Using a Dekor LED transformer allows us to provide you with our industry leading warranty on our LED lights. DEKOR lights are designed to be used with DEKOR LED transformers and when another transformer is used in its place, this voids the LED warranty in its entirety.*



**BRICKSTOP PAVER EDGINGS  
HAVE BEEN SPECIFIED AND  
INSTALLED IN MANY PRESTIGIOUS  
LOCATIONS, INCLUDING:**

The Korean War Memorial  
Riverbanks Zoo, Columbia, SC  
Wyeth-Ayerst Pharmaceuticals  
City of Stockton, CA  
University of Toronto  
The Aquarium of Bermuda  
University of California, Davis Campus  
American General Insurance  
Stanford University  
Paramount Canada's Wonderland  
Gillette Stadium, Foxboro, MA  
HQ: Make a Wish Foundation of N. TX  
Top-of-the-World-Way, Greenbrook, NJ  
The Official Residence of the archbishop of the Czech Republic  
Essex County 911 Memorial, Eagle Rock Reservation, NJ

...and thousands more.

**WWW.BRICKSTOPEDGE.COM**